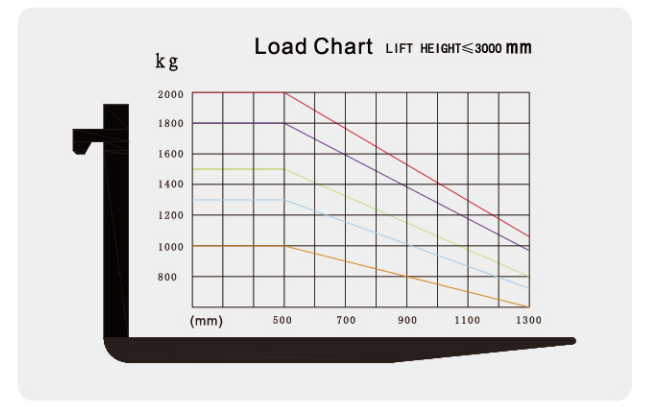
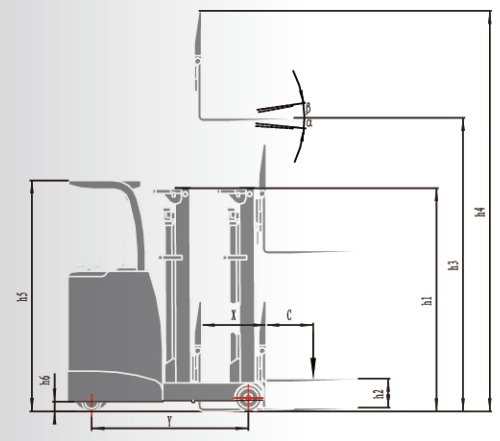
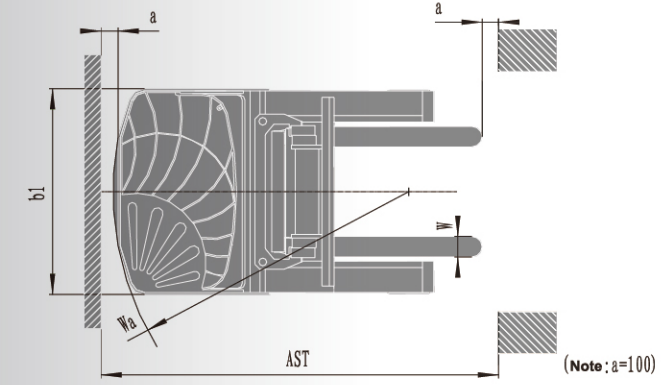


M SERIES 1.5-2.0t reach truck

		FBR15-M1JZ	FBR20-M1JZ	FBR15-M3JZE	FBR20-M3JZE		
		1	Model				
Performance	2	Power	Battery				
	3	Operation	1500	2000	1500	2000	
	4	Rated load capacity	Q(kg)		3000		
	5	Rated lift height	h3(mm)		500		
	6	Load centre	C(mm)		3°/5°		
	7	Fork carriage tilt (Forward/Backward)	α/β(deg)		6.5°/6.5°		
	8	Travel speed (Laden/Unladen)	(km/h)	8.8/9.0	8.8/9.0	8.8/9.0	8.8/9.0
	9	Lifting speed(Laden)	(mm/s)	240	220	260	280
	10	Max. gradeability(Laden)	(%)	10			
	11	Min. turning radius	Wa(mm)	1725	1775	1690	1775
	12	Reach distance	X(mm)	600	645	550	650
	13	Wheelbase	Y(mm)	1470	1520	1425	1500
	Dimension and weight	14	Service brake	electromagnetic		Hyd	
15		Overall width	l1(mm)	2340	2350	2385	2400
16		Main body length	l2(mm)	1270	1280	1315	1330
17		Overall width	b1(mm)	1205	1216	1255	1266
18		Height of mast,lowered	h1(mm)	2090		2080	
19		Free lift height	h2(mm)	330			
20		Height of mast,extended	h4(mm)	4025			
21		Height of overhead guard	h5(mm)	2260		2100	
22		Fork dimensions(T×W×L)	(mm)	35×122×920	40×122×920	35×122×920	40×122×920
23		Fork regulating range(Min/Max)	(mm)	286/758		286/758	
24		Min. ground clearance	h6(mm)	80			
25		Aisle width with pallet(1200×1200)	Ast1(mm)	2910	2920	2945	2960
26		Aisle width with pallet (1000×1000)	Ast2(mm)	2690	2700	2725	2750
27		Service weight	(kg)	2670	2725	2850	3000
Driven	28	Drive motor	(Kw)	4.5	4.5	4.5	4.5
	29	Lift motor	(Kw)	11	11	11	11
30	Battery:Voltage/capacity (5h)standard (option)	(V/Ah)	48/420		48/480		
Tyres	31	Tyres	Polyurethane Solid tyre				
	32	Size of front tyre	(mm)	∅ 250×120	∅ 285×108	∅ 343×108	
	33	Size of driven tyre	(mm)	∅ 381×130	∅ 343×132		
	34	Size of balancing tyre	(mm)	∅ 178×75	-		
	35	Track width(front)	(mm)	1070	1110	1125	
	36	Track width(rear)	(mm)	580	-		
Other	37	Turning system	Hyd				
	38	Speed control system	ZAPI				



1.5-2.0ton reach truck
M SERIES





M SERIES 1.5-2.0t WIDE VIEW 2-STAGE MAST

Model	Max. fork height (mm)	Capacity (Load Centre 500mm)(kg)			Overall height (mm)-lowered			Overall height-extended/ with bracket			Overall height-extended/ without bracket			Free lift height (mm)			Front Overhang (mm)		
		FBR15	FBR18	FBR20	1.5t	1.8t	2t	1.5t	1.8t	2t	1.5t	1.8t	2t	1.5t	1.8t	2t	1.5t	1.8t	2t
RM300	3000	1500	1800	2000	2090	2090	2090	4025	4025	4025	3645	3645	3645	330	330	330	170	170	170
RM360	3600	1500	1800	2000	2390	2390	2390	4615	4615	4615	4235	4235	4235	330	330	330	170	170	170
RM380	3800	1500	1800	2000	2490	2490	2490	4815	4815	4815	4435	4435	4435	330	330	330	170	170	170
RM400	4000	1500	1800	2000	2640	2640	2640	5015	5015	5015	4635	4635	4635	330	330	330	170	170	170
RM420	4200	1400	1650	1850	2740	2740	2740	5215	5215	5215	4835	4835	4835	330	330	330	170	170	170
RM450	4500	1300	1500	1700	2890	2890	2890	5515	5515	5515	5135	5135	5135	330	330	330	170	170	170
RM480	4800	1200	1350	1550	3040	3040	3040	5815	5815	5815	5435	5435	5435	330	330	330	170	170	170
RM500	5000	1100	1250	1450	3140	3140	3140	6015	6015	6015	5635	5635	5635	330	330	330	170	170	170
RM550	5500	1000	1150	1250	3440	3440	3440	6515	6515	6515	6135	6135	6135	330	330	330	170	170	170
RM600	6000	800	950	1000	3690	3690	3690	7015	7015	7015	6635	6635	6635	330	330	330	170	170	170

M SERIES 1.5-2.0t WIDE VIEW FULL FREE 3-STAGE MAST

Model	Max. fork height (mm)	Capacity (Load Centre 500mm)(kg)			Overall height(mm)-lowered			Overall height-extended/ with bracket			Overall height-extended/ without bracket			Free lift height (mm)			Free lift height -without bracket			Front Overhang (mm)		
		FBR15	FBR18	FBR20	1.5t	1.8t	2t	1.5t	1.8t	2t	1.5t	1.8t	2t	1.5t	1.8t	2t	1.5t	1.8t	2t	1.5t	1.8t	2t
RTFM400	4000	1500	1800	2000	1965	1965	1965	5015	5015	5015	4635	4635	4635	980	985	985	1355	1360	1360	185	180	180
RTFM420	4200	1350	1600	1800	2035	2035	2035	5215	5215	5215	4835	4835	4835	1045	1050	1050	1420	1425	1425	185	180	180
RTFM450	4500	1300	1500	1650	2135	2135	2135	5515	5515	5515	5135	5135	5135	1145	1150	1150	1520	1525	1525	185	180	180
RTFM460	4600	1250	1465	1600	2165	2165	2165	5615	5615	5615	5235	5235	5235	1175	1180	1180	1550	1555	1555	185	180	180
RTFM480	4800	1200	1400	1500	2235	2235	2235	5815	5815	5815	5435	5435	5435	1240	1245	1245	1615	1620	1620	185	180	180
RTFM500	5000	1150	1300	1400	2300	2300	2300	6015	6015	6015	5635	5635	5635	1310	1315	1315	1685	1690	1690	185	180	180
RTFM520	5200	1100	1260	1360	2365	2365	2365	6215	6215	6215	5835	5835	5835	1375	1380	1380	1750	1755	1755	185	180	180
RTFM560	5600	1050	1200	1300	2500	2500	2500	6615	6615	6615	6235	6235	6235	1510	1515	1515	1885	1890	1890	185	180	180
RTFM600	6000	1000	1100	1200	2635	2635	2635	7015	7015	7015	6635	6635	6635	1645	1650	1650	2020	2025	2025	185	180	180
RTFM610	6100	980	1085	1185	2665	2665	2665	7115	7115	7115	6735	6735	6735	1675	1680	1680	2050	2055	2055	185	180	180
RTFM620	6200	950	1065	1165	2700	2700	2700	7215	7215	7215	6835	6835	6835	1710	1715	1715	2085	2090	2090	185	180	180
RTFM640	6400	900	1030	1130	2765	2765	2765	7415	7415	7415	7035	7035	7035	1775	1780	1780	2150	2155	2155	185	180	180
RTFM660	6600	850	1000	1100	2835	2835	2835	7615	7615	7615	7235	7235	7235	1845	1850	1850	2220	2225	2225	185	180	180
RTFM700	7000	750	900	1000	2965	2965	2965	8015	8015	8015	7635	7635	7635	1975	1980	1980	2350	2355	2355	185	180	180
RTFM720	7200	700	800	900	3035	3035	3035	8215	8215	8215	7835	7835	7835	2045	2050	2050	2420	2425	2425	185	180	180
RTFM750	7500	650	700	750	3135	3135	3135	8515	8515	8515	8135	8135	8135	2145	2150	2150	2520	2525	2525	185	180	180
RTFM800	8000	550	600	650	3300	3300	3300	9015	9015	9015	8635	8635	8635	2310	2315	2315	2685	2690	2690	185	180	180
RTFM820	8200	500	550	600	3365	3365	3365	9215	9215	9215	8835	8835	8835	2375	2380	2380	2750	2755	2755	185	180	180